

IR-31 Pet-Immune PIR Motion Detector

Environment Protection with Enhanced Flexibility & Affordability



- Pet Immunity
- Two Selectable Sensitivity Levels
- Fast Speed Signal Transmission

Designed to prevent false alarms triggered by pets or small animals, IR-31 is a microprocessor controlled PIR Motion Detector that offers quality detection and pet immunity up to 25 kilos. The advanced Adaptive Digital Signal Processing (ADSP) algorithms in IR-31 guarantee high performance in sensitivity and reliability. The sensitivity levels of IR-31 can be adjusted to suit different premises. IR-31 leverages Climax's industry-leading RF technologies to deliver super speed signal transmission and extensive communication range.

Easy and flexible to install, IR-31 sends regular supervision signals to check system integrity and has tamper-proof design to prevent the opening or removal of its housing. Technologically advanced and aesthetically appealing, IR-31 stands out as a broadly applicable device ready to make your home or business safer and smarter.

Features

- Detects suspicious movements by pass infrared technology
- Microprocessor controlled with advanced Adaptive Digital Signal Processing (ADSP) algorithms for false alarm immunity
- Turn on/off pet immunity by setting a jumper
- Pet weight: up to 25 kilograms
- Two selectable sensitivity levels
- Wireless for easy wall or corner mount
- Randomized supervision signals for system integrity
- High immunity to false alarms
- Mounting height: 2.3-2.5 m
- Detection range: 12 meters over a 90° angle
- Fast signal transmission & Extensive RF range
- Superior white light and noise rejection
- Automatic power saving mechanism
- Superior radio interference rejection
- Tamper protection against sabotage
- LEDs display operational status
- Temperature compensated sensitivity control
- Low battery detection
- EN50131 Grade 2, Class II certified

Specifications

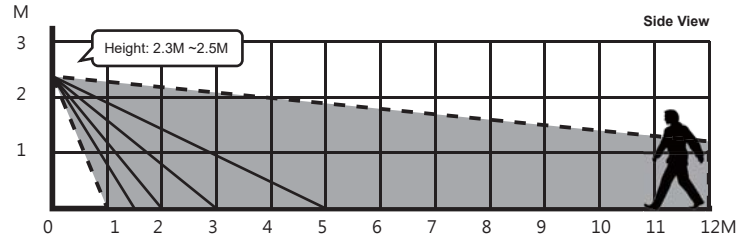
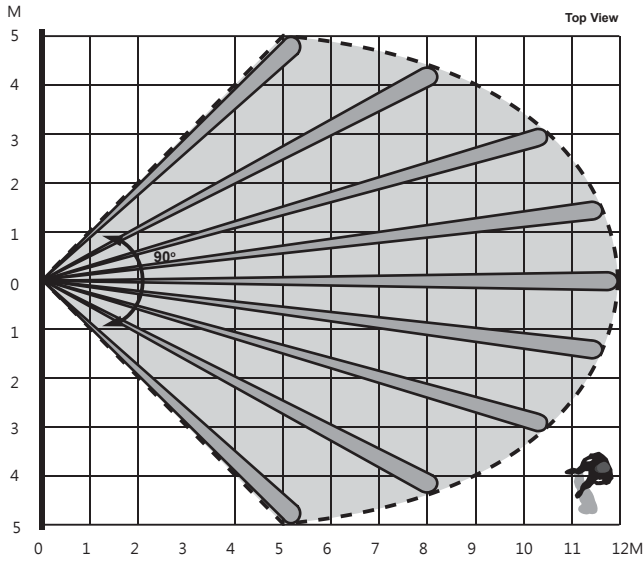
IR-31-F1


Models	IR-31	IR-31SL	IR-31SSL
Frequency	868 MHz / 919 MHz / 433 MHz		
Power Source	1.5V AA Alkaline x 2	CR123 battery x 1	CR123 battery x 2
Battery Life	7.6 years*	5.8 years*	10 years*
Detection Range	12 meters over a 90° angle		
Mounting Height	2.3m-2.5m		
Operating Temperature	-10°C to 45°C (14°F to 113°F)		
Operating Humidity	Up to 85% non-condensing		
Dimensions	72 mm x 78 mm x 43 mm		

*Note: Actual battery life may vary due with device settings, usage patterns, and operating environment.

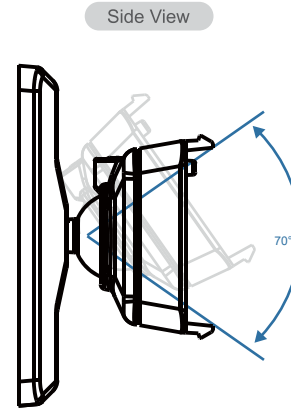
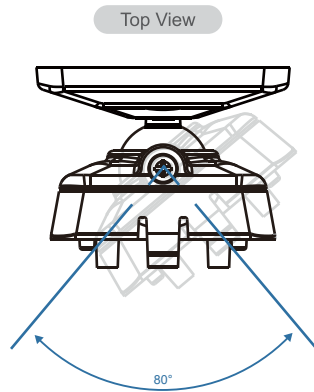
IR-31 Pet-Immune PIR Motion Detector Series

Detection Range



 Pet's Weight: 25 kg

Compatible with Rotating Holder (Optional)



Ordering Information

IR-31	PIR Motion Detector powered by two Alkaline batteries
IR-31SL	PIR Motion Detector powered by one CR123 battery
IR-31SSL	PIR Motion Detector powered by two CR123 batteries